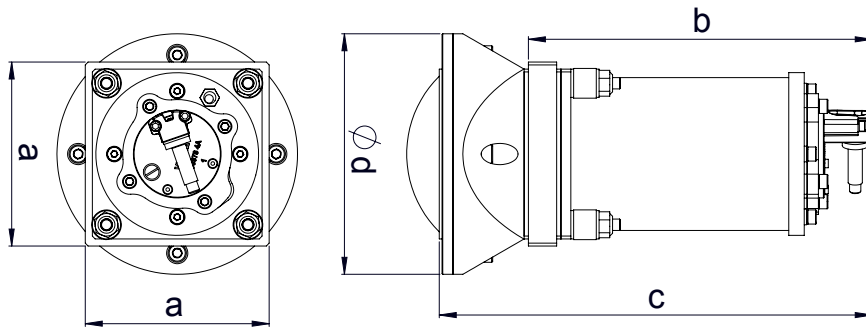




# PJ - Air Jet - Combined hammer blasts



### DIMENSIONAL SPECIFICATIONS

MODEL	A	B	C	ØD
	mm	mm	mm	mm
PJ 40	130	220	306	170
PJ 63	160	260	363	222
PJ 80	200	308	435	280

MODEL	ENERGY (J)	FORCE (N)	ENERGY (J)	FORCE (N)	AIR CONSUMPTION (NI)		I Ø PIPE	AIR INLET
	3 bar		6 bar		3 bar	6 bar	mm	BSPP
PJ 40	8.4	199	18.1	429	3.6	5.3	6	1/8" BSPP
PJ 63	28.8	589	62	1268	6.4	11.6	8	1/4" BSPP
PJ 80	59.2	846	153	2186	12.5	21.0	8	1/4" BSPP

### PJ - AIR JET - COMBINED HAMMER BLASTS

APPLICATION	Hopper and silo
POWDER	Fine and dust
PROBLEM SOLVING	Bridge and rat-holing

### FEATURES

DUTY CYCLE	Discontinuous
WORKING PRESSURE	From 3 bar to 6 bar (from 43 psi to 87 psi)
PNEUMATIC CIRCUIT	Filter + flow control valve
AIR SUPPLY QUALITY	Class 5.4.1.
WORKING TEMPERATURE	From -20 °C to 80 °C (from -4 °F to 176 °F)
MAX NOISE LEVEL	125 dB(a)
TECHNOLOGY	Single impact + high pressure blast
MATERIAL	Steel body, nylon base, steel attachment plate, PS040-063 nylon (PS080 aluminium) head

### OPTIONS

TIMER	Adjustable from 30sec to 45min
MULTI-TENSION COILS	From 24V (ac/dc) to 230V
FULLY PNEUMATIC KIT	Available

This information is furnished without warranty, representation, inducement or license of any kind. It is accurate to the best OLI knowledge or is obtained from sources believed to be accurate. OLI therefore assumes no legal responsibility.



