

# VERTICAL PADDER TYPE «VFM»

## Lab sample padding

This 2-roll vertical padder with variable pneumatic load adjustment has been designed especially for the Chemical, Textile and Dyestuff Industry, for Finishing Works and Research Institutes.

The unit can be used for dyeing, impregnating and finishing of textiles such as fabrics, knitwear, non-wovens, ribbons, felt etc.

The padder type «VFM», together with our laboratory dryer type «LTE» or laboratory steamer type «DH», form an ideal combination for your laboratory.



[www.mathisag.com](http://www.mathisag.com)

Adapted to the production

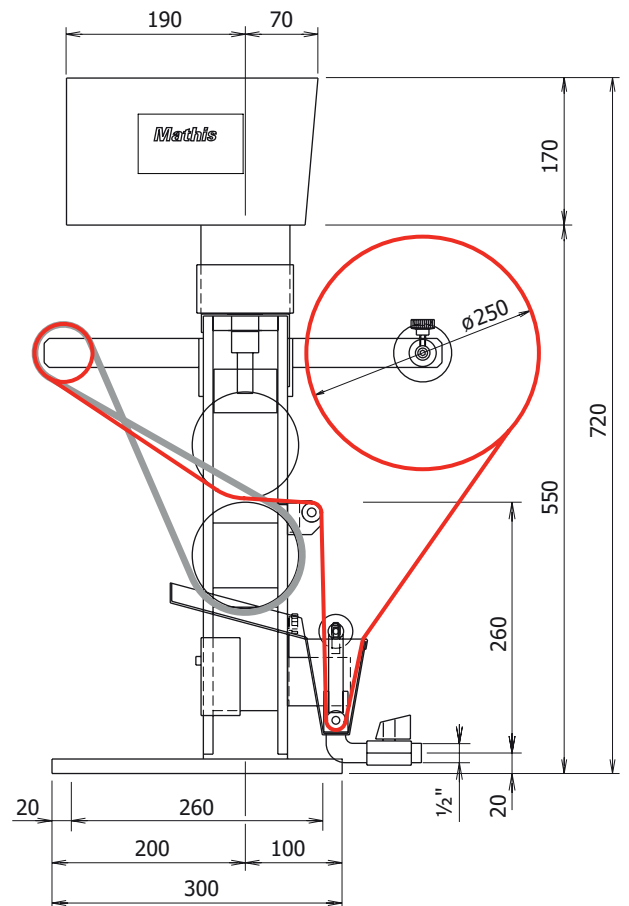
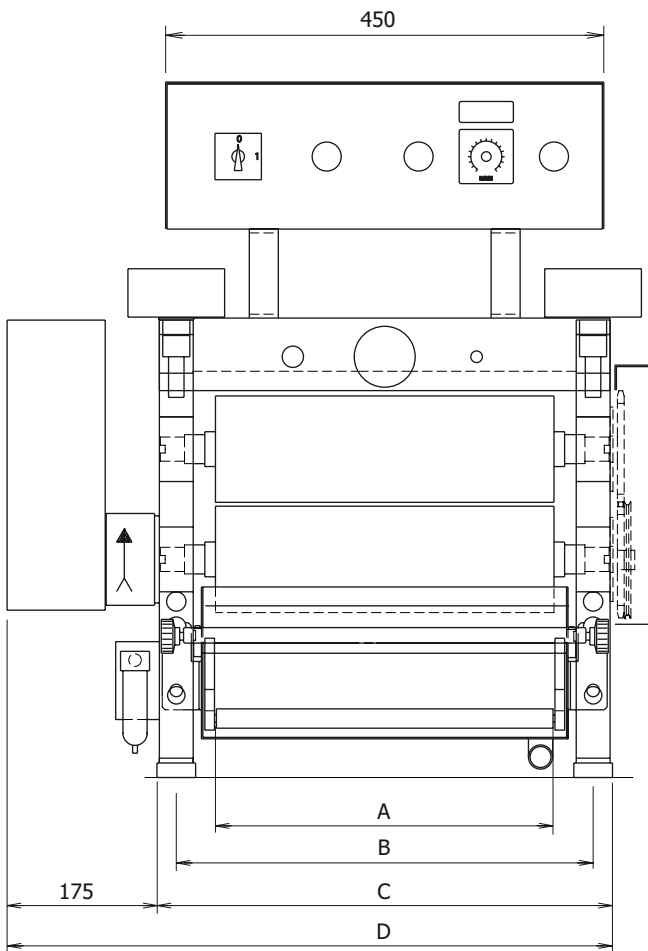
Dipping time and squeezing pressure are adjustable so that the usual common pick up values from production can be achieved.

Options

- Up and unwinding device for padding of longer samples
- A set of gear wheels for the drive of both rollers
- Alkaline resistant roller coverings (recommended for cold pad-batch dyeing processes with high alkaline concentrations)
- Various roller rubber qualities and rubber hardnesses
- Variable roller speed 0.2 - 8 m/min
- Steel rollers
- Distance adjusting device
- Automatic pressure release when the rollers are stopped
- Under carriage with rolls and brake
- Suitable compressor for compressed air
- Economic trough 200 ml
- Liquor displacement bodies

Technical information

	Type <<VFM>> 350	Type <<VFM>> 500
Working width:	300 mm	450 mm
Roller speed:	4 m/min	
Air connection:	approx. 7 bar	
Linear pressure:	approx. 220 N/cm	
Roller hardness:	70° Shore	
Liquor content:	1.2 l	1.7 l
Weight:	~125 kg	~155 kg
Dimensions:		
A	350 mm	500 mm
B	431 mm	581 mm
C	471 mm	621 mm
D	646 mm	796 mm



Enhanced applications

Beside dyeing and finishing of textiles, the «VFM» with undercarriage can also be used for further applications such as lamination and calendaring.



«VFM» with undercarriage, with unwinder, guiding panel designed as lamination station



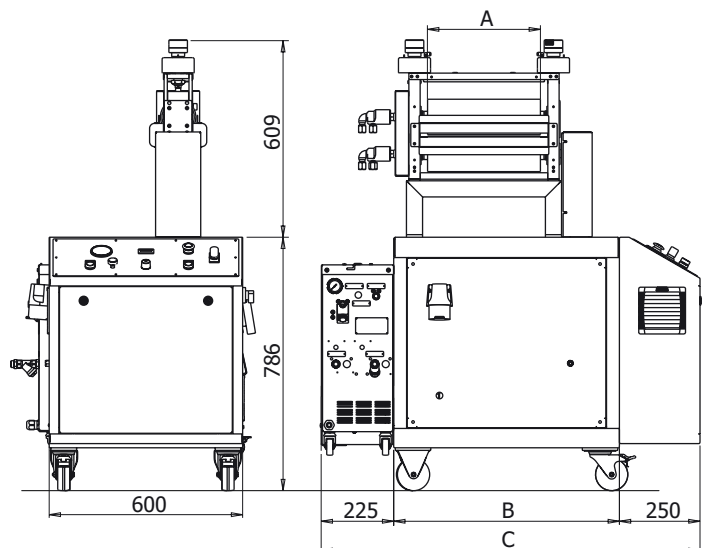
«VFM» with undercarriage and heated rollers designed as calendaring station

Options

- Up and unwinding device for padding of longer samples
- A set of gear wheels for the drive of both rollers
- Alkaline resistant roller coverings (recommended for cold pad-batch dyeing processes with high alkaline concentrations)
- Various roller rubber qualities and rubber hardnesses
- Steel rollers
- Distance adjusting device
- Automatic pressure release when the rollers are stopped
- Suitable compressor for compressed air
- Heated rubber and steel rollers. Electrically or with thermofluids
- Tempering device

Technical information

	Type «VFM» 350	Type «VFM» 500
Working width:	300 mm	450 mm
Roller speed:	0.2 – 10 m/min	
Air connection:	approx. 7 bar	
Linear pressure:	approx. 220 N/cm	
Roller hardness:	90° Shore	
Setting the gap:	0 - 5 mm	
Tempering device:	up to 140°C, 6kW	
Weight:	~200 kg	~230 kg
Dimensions:		
A	350 mm	500 mm
B	700 mm	850 mm
C	1175 mm	1325 mm



**Werner Mathis AG**

Rütisbergstrasse 3  
CH-8156 Oberhasli/Zürich, Switzerland  
Telefon: +41 44 852 50 50  
Telefax: +41 44 850 67 07  
info@mathisag.com  
www.mathisag.com

**Werner Mathis U.S.A. Inc.**

2260 HWY 49 N.E./P.O. Box 1626  
Concord N.C. 28026, U.S.A.  
Phone: +1 704 786 6157  
Fax: +1 704 786 6159  
usa@mathisag.com

**Mathis (India) PVT. LTD.**

No.01, Shreeji Arcade  
1st Floor, Opp. Nitin Co.  
Almeida Road, Thane 400 602  
Phone/Fax: +91 22 2538 5472  
india@mathisag.com

**Aparelhos de laboratorio Mathis Ltda**

Estrada dos Estudantes 261  
CEP 06707-050 COTIA S.P., Brasil  
Phone: +55 11 3883 6777  
Fax: +55 11 3883 6750  
brasil@mathisag.com