

Shake no more
All-in-one

free from manual shaking

01
Free from
Physical burden

02
Free from
Inconsistent measurement value

03
Free from
Cumbersome operation

Set then press a button

No need to shake a container for a given amount of time with force.

Safe measuring environment

No accidents caused by the unit slipping from your hands while shaking.

Consistent measurement results regardless of measurement taker

Compared to the "manual shaking" method, measurement results from an automatic measurement will not be affected by the measurement taker.

No cumbersome calculation after measurement

Using the preexisting and current data obtained by CooRe, a calibration curve can be created which can then be used to program a coefficient. Measurement values are automatically computed based off the past data, which means no stored data is wasted.

End User Feedback

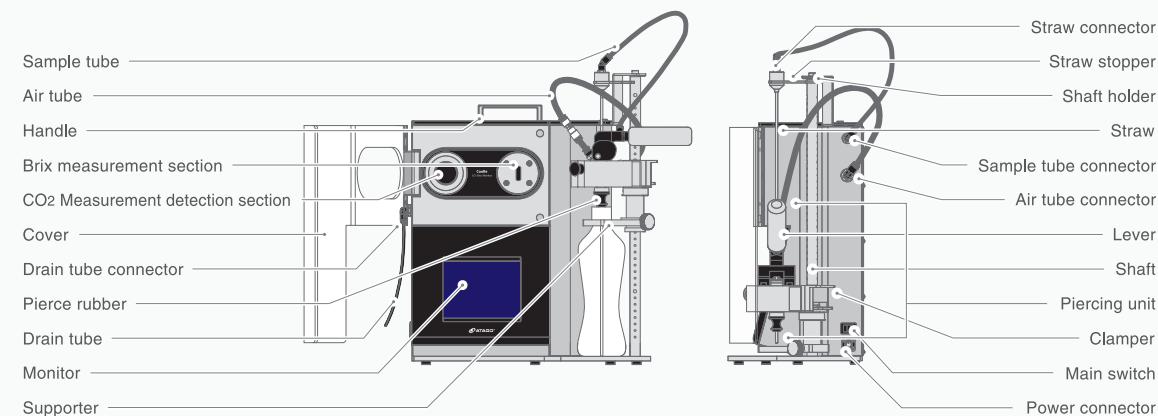
~Company "S" Quality Assurance Department~

Unlike traditional instruments, it does not require intensive swinging motions, instead it can be readily used.

~Company "I" Product Development Department~

There is no more variation in measurement values that depend on who is measuring the sample.

Name of Compartment



Available in 3L compatible model. Contact us for further information.

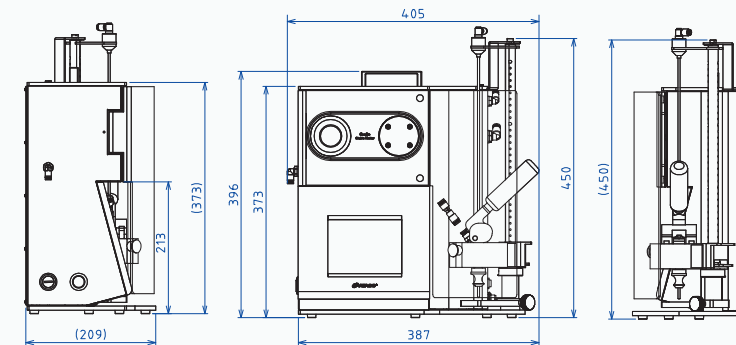
Specifications

Cat.No.	9332	Repeatability	Brix (Absolute value) : ±0.02 % Pressure : ±0.3 % (at F.S. 20 °C)
Scale	Automatic CO ₂ Brix Monitor	Temperature Compensation Range	Brix : 5.0 to 30.0 °C CO ₂ Concentration : 0 to 25 °C
Model	CooRe	CO ₂ Pressure Sensor	Diaphragm pump, pressure gauge pressure meter
Measurement Scales	Brix (Automatic temperature compensation) CO ₂ Concentration (Automatic temperature compensation) Pressure Temperature	Refractometer Light Source	LED (D-line approximation)
Measurement System	Brix : Refractive index method CO ₂ Concentration : Converted from pressure Pressure : Sample agitation measurement method	Temperature Sensor	Platinum thin-film temperature sensor (Refractometer/pressure sensor one each)
Measurement Range	Brix : 0.00 to 20.00 % CO ₂ Concentration : 0.000 to 24,000 vol. 0.000 to 24,000 × 10 ⁻⁶ kg/cm ³ 0.000 to 24,000 g/L Pressure : 0.00 to 10.00 bar 10 to 10000 mbar 0.000 to 145,000 psi 0.000 to 1.000 MPa 0 to 1000 kPa Temperature : 0.0 to 30.0 °C 32.0 to 86.0 °F 273 to 303 K	Agitation Method	Magnet stirrer
Resolution	Brix : 0.01 % CO ₂ Concentration : 0.001 vol. 0.001 × 10 ⁻⁶ kg/cm ³ 0.001 g/L Pressure : 0.01 bar 10 mbar 0.001 psi 0.001 MPa 1 kPa Temperature : 0.1 °C 0.1 °F 1 K	Minimum Sample Volume	Approx. 100 mL *1st measurement 200mL (Pressure chamber volume : 20mL)
Measurement Accuracy	Brix (Absolute value) : ±0.05 % Pressure : ±1.0 % (at F.S. 20 °C) Temperature : ±1 °C	Sample Temperature Range	0 to 30 °C (Guaranteed accuracy range : 5.0 to 25.0 °C)
		Minimum Measurement Time	Approx. 60 seconds *1st measurement approx. 110 seconds
		Display Method	Touch panel with backlight LCD 5.7 inches
		Data Display History	• Number • Measurement year month date time • Scale • Brix • Temperature when Brix is measured • CO ₂ concentration • Temperature when CO ₂ concentration is measured • Pressure • Temperature when pressure is measured
		Output	USB memory (CSV text file format)
		Pressure Resistance	Pressure chamber : 1MPa Prism : 1MPa
		International Protection Class	IP65 *Applicable only if the USB terminal cover is on and power terminal cover is on (or AC power is connected).
		Ambient Temperature/Humidity	Temperature : 0 to 40 °C Humidity : 30 to 80 %
		Power Supply	AC 100 to 240 V ,50/60Hz
		Power Consumption	50 VA
		Dimensions & Weight	Approx. 40.5 × 45 × 21.5 cm 26lbs/12kg (Power cable included.)

Accessories

Part Name	Part No.
Lithium-ion Battery	RE-74840
Pulp Filter Unit	RE-79424
Filter Cartridge (for Pulp Filter Unit)	RE-79425
Desiccant (100g)	RE-99440
Screw set for Back Cover	RE-99441

Dimensions



ATAGO CO., LTD.

http://www.atago.net/ overseas@atago.net

ATAGO U.S.A., Inc.
ATAGO INDIA Instruments Pvt. Ltd.
ATAGO THAILAND Co., Ltd.
ATAGO BRASIL Ltda.
ATAGO ITALIA s.r.l.
ATAGO CHINA Guangzhou Co., Ltd.
ATAGO RUSSIA Ltd.
ATAGO NIGERIA Scientific Co., Ltd.
ATAGO KAZAKHSTAN

TEL: 1-425-637-2107
 TEL: 91-22-28544915, 40713232
 TEL: 66-21948727-9
 TEL: 55 16 3913-8400
 TEL: 39 02 36557267
 TEL: 86-20-38108256
 TEL: 7-812-777-96-96
 TEL: 234-707-558-1552
 TEL: 7-727-257-08-95

customerservice@atago-usa.com
 customerservice@atago-india.com
 customerservice@atago-thailand.com
 customerservice@atago-brasil.com
 customerservice@atago-italia.com
 info@atago-china.com
 info@atago-russia.com
 atagonigeria@atago.net
 info@atago-kazakhstan.com

All ATAGO refractometers are designed and manufactured in Japan.



ATAGO products comply with HACCP, GMP, and GLP system standards.

* Specifications and appearance are subject to change without notice.

Copyright © 2018 ATAGO CO., LTD. All rights reserved. [ENV03] 18021000PP Printed in Japan

ATAGO®

Automatic CO₂ Brix Monitor

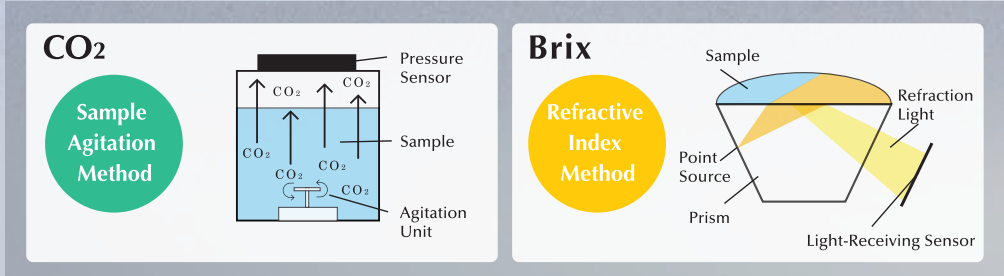
CO₂ Brix
CooRe
Portable Automatic Gas Volume Meter



CO₂ Brix Press a button.
Simultaneous measurement.

Refractometer technology that ATAGO has cultivated for many years is incorporated into this gas volume meter. Two types of measurements can be taken at once, which improves work efficacy.

CooRe
CO₂ Brix Monitor



CooRe = Coo — Signifies CO₂ gas volume meter Re — Refractometer abbreviated

Readily take measurements any time, anywhere

No other automatic gas volume meter allows taking measurements any time and anywhere. CooRe is equipped with many convenient functions and components.

World first all-in-one piercing and measuring instrument

The piercing and measuring sections are together in one unit. Traditional automatic gas volume meters are equipped with nitrogen gas cylinders which weigh almost 10kg/22lbs. With CooRe, the pump is internalized requiring no need to connect or change the nitrogen gas cylinder.

Excellent operability

Easy piercing

This instrument can pierce any type of bottle easily and smoothly, whether can or bottle. In addition, it is equipped with a cover to prevent liquid from scattering when a bottle is removed from the instrument.

Sample amount is 100ml

Only 100mL of sample is required for measurements. If the capacity is that of the common soda bottle, all containers can be measured.
*1st measurement 200mL

Cover

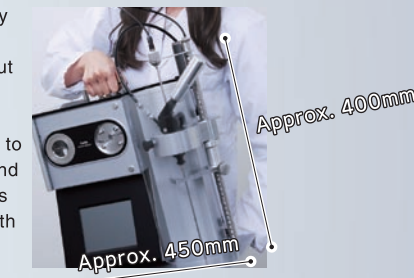
Cover to prevent liquid or pieces of a damaged can, glass bottle, or PET bottle from scattering.



Portable

Can be carried with one hand

The unit approximately weighs 12kg/26lbs. The weight being about half of traditional automatic gas volume meters, it is very easy to handle. The display and measurement sections are all in one place with a handle on the top to free up one of your hands during transit.



Can be used in area with no power supply

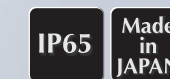
The power source can either be AC adapter or lithium ion battery. No more thinking about where to measure. Moreover, the rechargeable lithium ion battery can be used repeatedly, reducing running costs.

One minute to measure

After pressing the button, the measurement will automatically display in one minute.
*1st measurement approx. 110 seconds

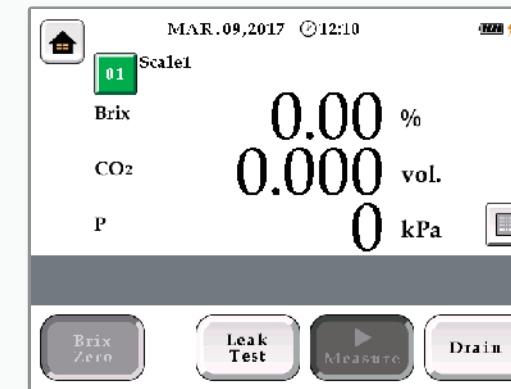
ATAGO's Reliability

ATAGO is a Brix meter manufacturer since 1940 serving 154 countries worldwide.



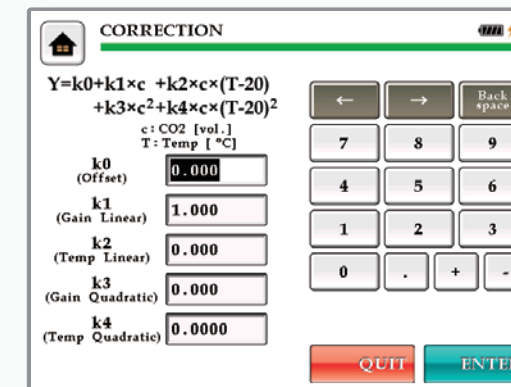
Touchscreen

Smooth and absolute operation



Measurement Screen

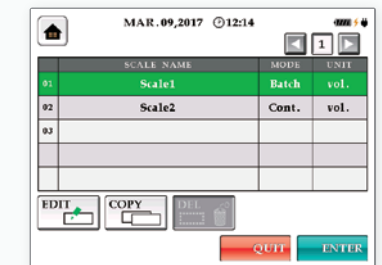
Before taking a measurement, select "LEAK TEST" then press "OK" once the completion message is displayed. Next, press "MEASURE" to begin taking measurements.



Value Correction Input Screen

Offset feature

Using the preexisting and current data obtained by CooRe, a calibration curve can be created which can then be used to program a coefficient. Measurement values are automatically computed based off of past data, which means no stored data is wasted.



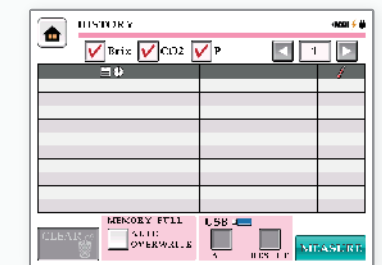
Scale List Screen

By programming the scale, there is no need to reset the unit or mode.



Rinse Screen

Use this screen when rinsing at the beginning of the day or after the last use.



Data History Screen

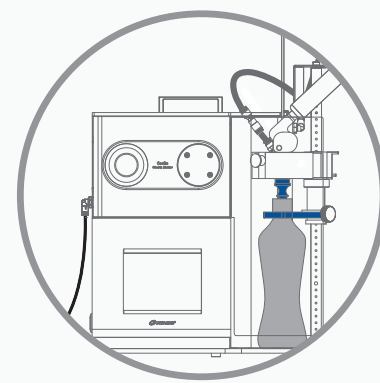
Quickly access the last 500 measurements. With a touch, the measurements can be saved on a USB.



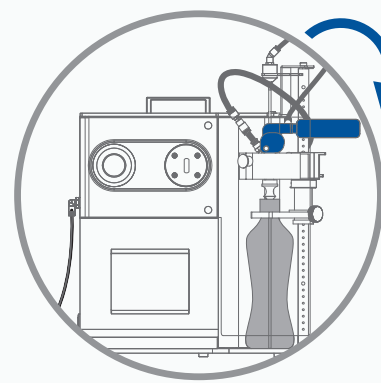
Settings Screen

Gateway to access basic configuration settings. Navigate to each configuration page using the icons. Confusion-free, intuitive operation.

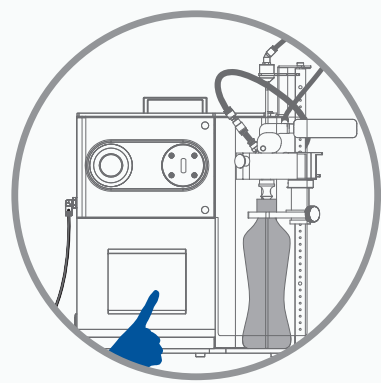
Measurement Method



Step1 **Set** a sample



Step2 **Pull down** the lever



Step3 **Press** Measure button

